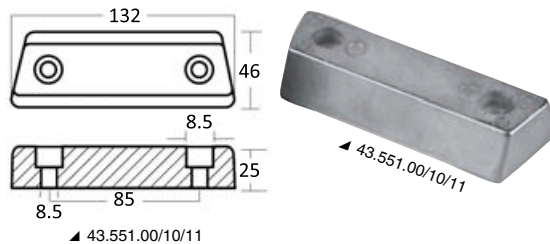
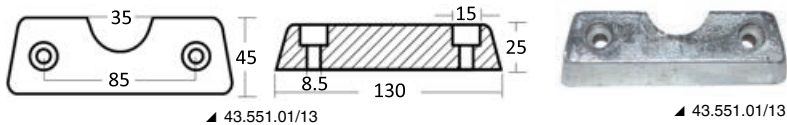


Anodo base piede per Duo Prop

| Zinco | Alluminio | Magnesio | Riferimento originale |
|-----------|-----------|-----------|-----------------------|
| 43.551.00 | 43.551.10 | 43.551.11 | 852835-8 |
| 43.551.01 | - | - | 872139-1 |



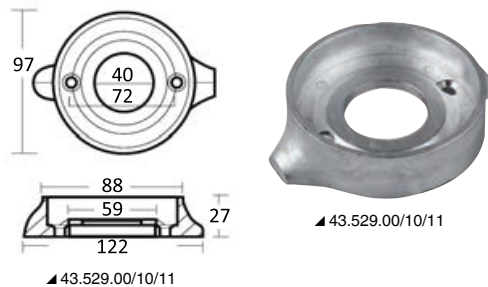
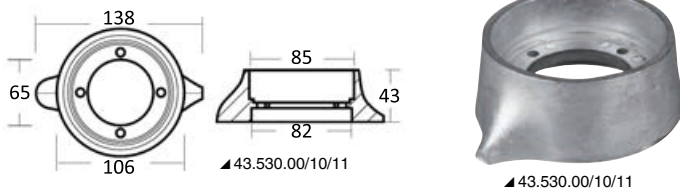
Anodo a collare piede AQ200/290

| Zinco | Alluminio | Magnesio | Riferimento originale |
|-----------|-----------|-----------|-----------------------|
| 43.528.00 | 43.528.10 | 43.528.11 | 875815 |



Anodo a collare per Sail Drive

| Zinco | Alluminio | Magnesio | mm | Tipo | Riferimento originale |
|-----------|-----------|-----------|--------------|----------------|-----------------------|
| 43.529.00 | 43.529.10 | 43.529.11 | Ø 95 x H 27 | SAIL DRIVE 120 | 876286 |
| 43.530.00 | 43.530.10 | 43.530.11 | Ø 106 x H 43 | SAIL DRIVE 110 | 875812 |



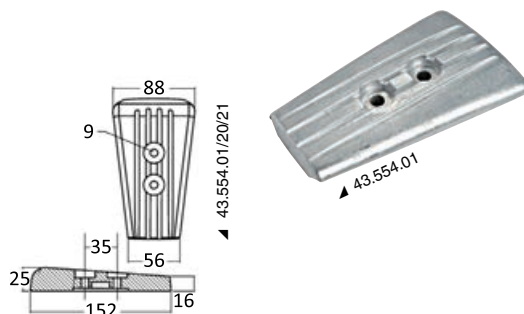
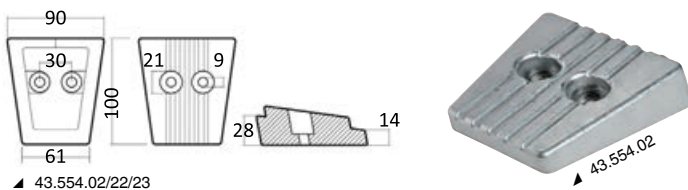
New Anodo per scarico Volvo DPH / DPR

| Zinco | Alluminio | Magnesio | H | H1 | Ø | Riferimento originale |
|-----------|-----------|-----------|----|----|----|-----------------------|
| 43.232.01 | 43.233.01 | 43.234.01 | 61 | 59 | 38 | 21868041 - 21700154 |



Anodo piede SX/DPS

| Zinco | Alluminio | Magnesio | Rif. originale |
|-----------|-----------|-----------|-------------------|
| 43.554.01 | 43.554.20 | 43.554.21 | 3888814 / 3883728 |
| 43.554.02 | 43.554.22 | 43.554.23 | 3888817 / 3841427 |



New Anodo piede Volvo DPI

| Alluminio | Magnesio | Riferimento originale |
|-----------|-----------|-----------------------|
| 43.556.01 | 43.558.01 | 23520859 - 23520860 |

